

**LDA-SUB** is specifically designed for subwoofer applications. It provides one channel with output power up to 2000W @4ohms. In addition it offers a full set of value added features such as on board DSP and RS485 connection for monitoring and control via dedicated PC software. To guarantee maximum reliability, the **LDA-SUB** includes a highly efficient universal switch mode power supply with PFC (Power Factor Correction) which provides a total 2000W power to the output channel. The output stage uses the well-known Pascal Class D XPRO1 module. The **LDA-SUB** includes a set of sophisticated processes for loudspeaker, implemented by the powerful M704 DSP running 96kHz/24bit [96 bits precision for the internal intermediate processes] and high performance 24bit AD/DA Converters. Processes as Noise Gate, crossover filters,

delay and All-Pass filters are available, all in all everything needed to optimize a self-powered loudspeaker. Moreover the Clip/Limiter function per channel provides output monitoring to prevent speaker damage with gentle gain reduction at clip threshold, in addition to the efficient heat dissipation system and Over-Heat protection which themselves ensure uncompromised reliability. Furthermore the **LDA-SUB** is also equipped with a Dynamic Loudness function and an useful Pink/White noise generator. All setup parameters for input mixing, DSP features and the limiter setting are accessible by using the remote PC software. High Band can be split or not in two sub-band. When the Xover split freq is enabled then the RMS compressor working on the lower band and a additional volume (hi\_level) working on the Higher band.



### Features

#### Outstanding Performance

High power output: 1 x 2000W @ 4Ω

Switched-Mode Power Supply with PFC and auto voltage sensing

Pascal Class D Amp Module - full bandwidth PWM modulator with ultra low distortion

Full protection circuitry including Over-Current, Over/Under-Voltage, Output DC and Over-Temperature

Excellent sonic performance with 24bit high end converters coupled with 96kHz sample rate

#### Top-grade DSP Engine

5 band parametric equalization per input channel

7 band parametric equalization per output channels

2 filter can be switched to Bell, Low/High Shelving, per channel

Low/High Shelving, can be selected as variable Q response

Crossover filters with slopes from 6dB/Octave up to -48dB/Octave including Butterworth, Bessel, Linkwitz-Riley

Output features a precision dynamic range controller composed of a RMS Compressor with selectable ratio and variable knee

Input features a precision dynamic range controller composed of a RMS Compressor with selectable ratio, variable knee and Hold Time.

4 Additional All-Pass filter up to 2nd order per output channel

Adjustable Delay time up to 10 ms for input and output channels

Input channel includes a Noise Gate function, Pink/White noise generator, sophisticated Dynamic Loudness function and a High-Pass filter with slopes from 6dB/Octave up to -48dB/Octave including Butterworth, Bessel, Linkwitz-Riley

#### Network Connection

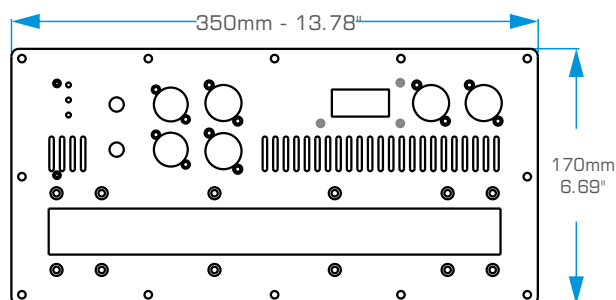
Rs485 connection for system setup, monitoring and control via fully manageable remote PC software

#### Control

Simultaneous control up to 32 units via PC software

8 Preset Selection by using rotary encoder switch

Security Lockout



### Power & Amplifier Sections

Number of Channels	1
Max Output Power	1 x 1500W (Bridge) @8 ohms; 1 x 2000W @4 ohms
Output Circuitry	Class D - full bandwidth PWM modulator with ultra low distortion
Output Voltage	160 Vp / 320 Vpp (unloaded)
THD @ Rated power 4Ω (1kHz)	<0.005% (20 Hz - 20 kHz, 8Ω load, 3dB below rated power)
Signal To Noise Ratio	>120 dB (A-weighted, 20 Hz - 20 kHz, 8Ω load)
Frequency Response	20 Hz - 20 kHz ± 0,15 dB (8Ω load, 1 dB below rated power)
Damping Factor	>1000 (8Ω load, 1kHz and below)
Power Supply	Switch mode power supply with PFC (Power Factor Correction) and integral standby converter
Operating Range	Universal Mains, 85-265V
Consumption / Current draw and	19 W / -A / 64.8 BTU/h (Idle)
Thermal dissipation @ 230 V	411 W / -A / 546.3 BTU/h (1/8 max. power@4Ω)
Protections	Over-Current, Over/Under Voltage, Output DC and Over-Temperature
Maximum Input/Output Level	+12dB

### Audio

Analog Input	1 x XLR electronically balanced, +12dB
Analog Output	1 x XLR electronically balanced (Link)
AD & DA Converters	Cs42528 24bit

### DSP & Processing

DSP Engine	MARANI M704
DSP Resolution	24bit (data) x 24bit (coeff.), 54 bit accumulation registers, 96 bit precision on intermediate processing data 5 filters per input channel; 7 filters per output channel
Parametric Equalization	Bell, Low/High Shelving variable Q
Filter Type	From -12dBu up to +12dBu by 0.5dBu resolution steps
Filter Gain	Selectable with a 1Hz resolution step from 20Hz up to 20kHz
Center Frequency	Q from 0.5 up to 10 by 0.1 resolution steps
Bell Filter Q/BW	Q from 0.5 up to 3 by 0.1 resolution steps
Low/High Shelving Filter Q	Butterworth 6/12/18/24/48 dB/oct; Linkwitz-Riley 12/24/36/48 dB/oct; Bessel 12/24 dB/oct.
Crossover section HPF/LPF	Sophisticated Dynamic Loudness function and additional High-Pass filter per input section All-pass filter up to 2nd order per output section
OutPut RMS Compressor	Drive from -12 to 6dBu; Threshold from -18dB up to +12dBu; Knee 0~100%; Ratio from 2:1 to 100:1; Attack time from 5ms up to 500ms; Release time from 40ms up to 1000ms (10ms resolution). MakeUp from -12 to +12dBu; Threshold from -18dBu up to +12dBu;
Input RMS Compressor	Knee 0~100%; Ratio from 2:1 to 100:1; Attack time from 5ms up to 500ms; Release time from 40ms up to 1000ms. Input Hold-Time up to 10sec.
Clip Limiter	Bypass, soft and Hard Threshold
Delay	10 ms 10.4us increment/decrement steps per channel
Split Band X-over (only High Band)	Freq from 5kHz to 20kHz step 1Hz resolution, slope: bypass, 1st order butterworth and 2nd order Linkwitz-Riley
Ground Noise	-86 dBu

### General

User Preset	8
Panel	2x8 Alphanumeric LCD Display GAIN pot. -30dBu ~ 0dBu PRESET EQ 8 positions Rotary encoder switch Red LED (Power); Yellow LED (Link); Green LED (Signal presence) 1 x XLR female connector (Input) 1 x XLR male connector (Link Output) 2 x RJ45 connector (M-LAN Rs485) 2 X Locking PowerCON® 20A: AC Mains (blue) - AC Link (white)
Dimensions	13.78"x 3"x 6.69" 350x75x170mm
Weight, Net / Shipping	5.84 lbs (2.65 Kg) / 7.72 lbs (3.5 Kg)

Specifications subject to change without notice

Designed in Italy Assembled in China

# LDA-SUB