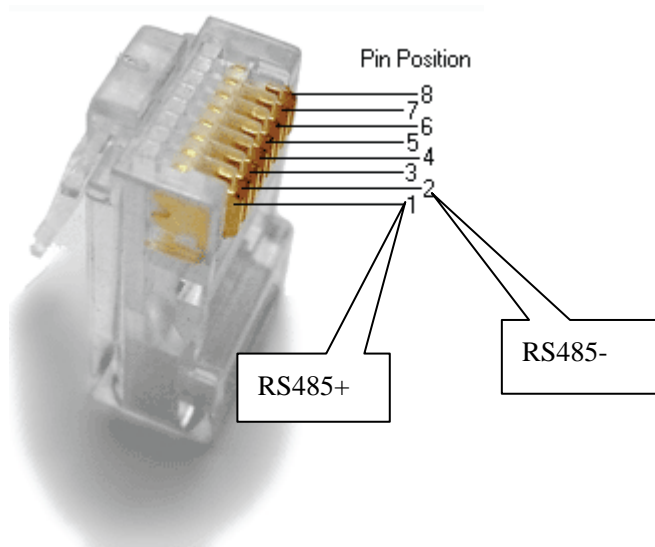
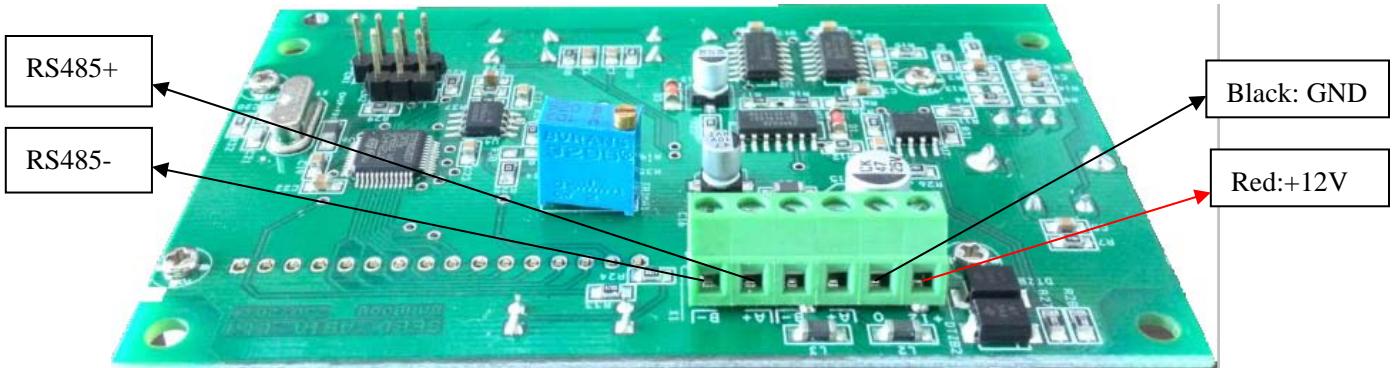
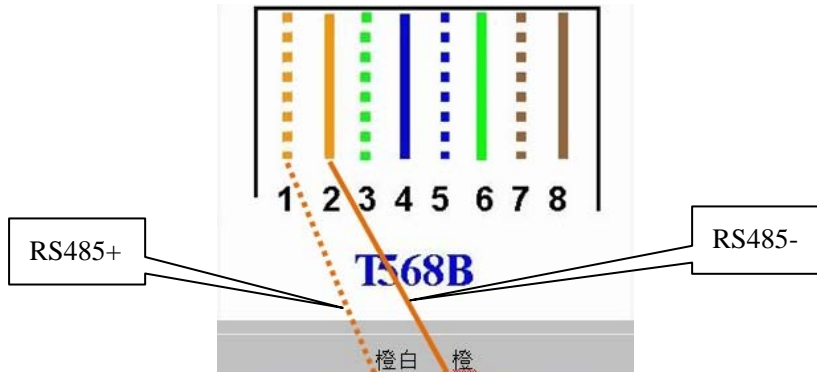


1 WP how to connect to machine.





- 2 The ID set to the WP must be the same as present on the machine.



